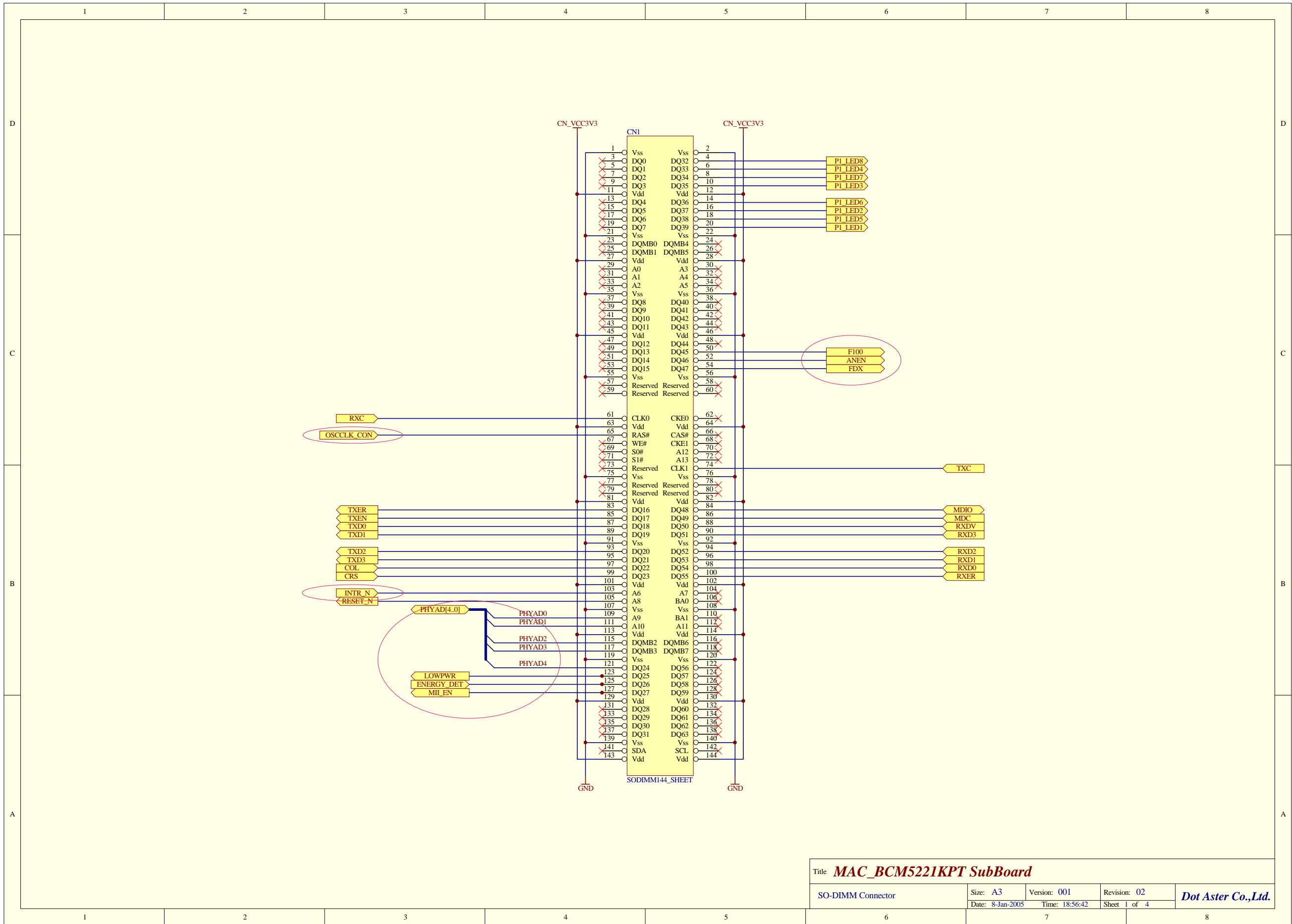
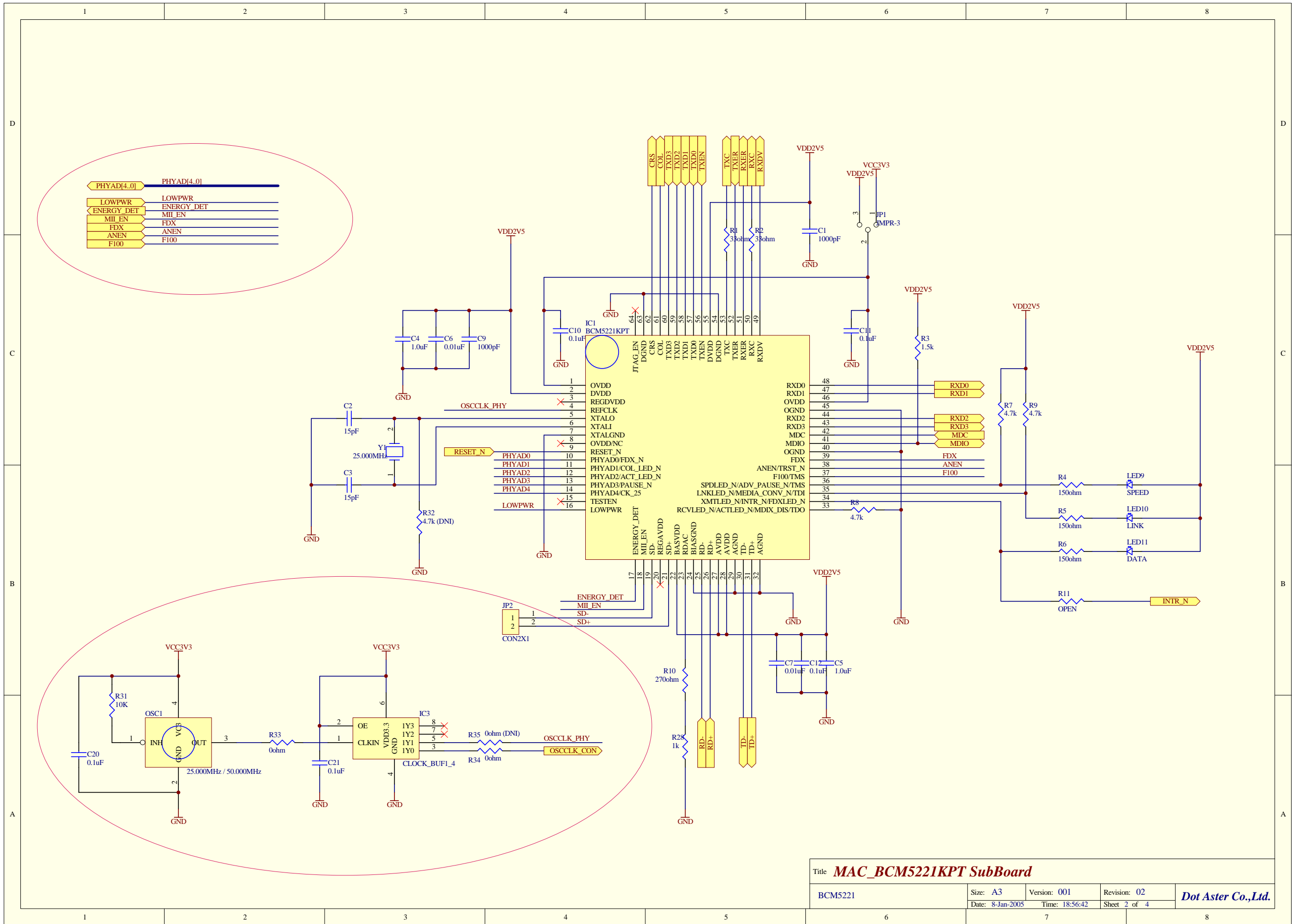
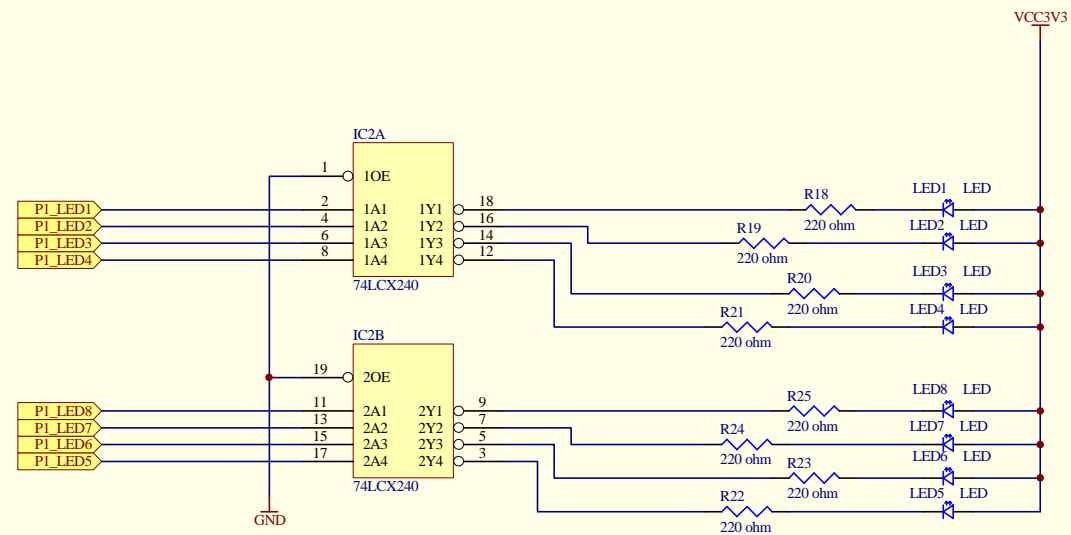
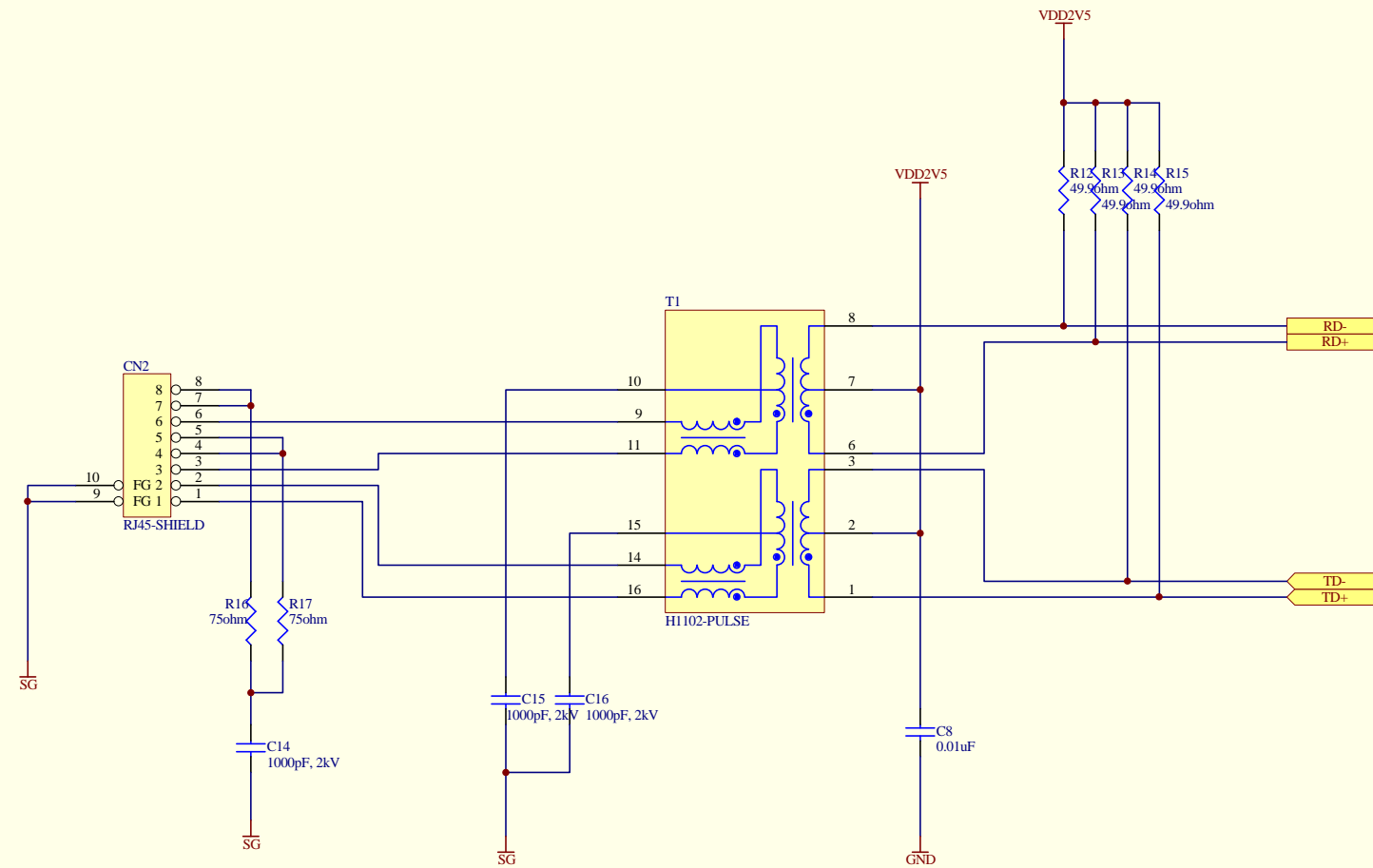


Title <b>MAC_BCM5221KPT SubBoard</b>			
top	Size: A3	Version: 001	Revision: 01
	Date: 8-Jan-2005	Time: 18:56:41	Sheet 0 of 4
			<b>Dot Aster Co.,Ltd.</b>



Title <b>MAC_BCM5221KPT SubBoard</b>			
SO-DIMM Connector	Size: A3	Version: 001	Revision: 02
	Date: 8-Jan-2005	Time: 18:56:42	Sheet 1 of 4
			<b>Dot Aster Co.,Ltd.</b>





Title **MAC\_BCM5221KPT SubBoard**

Magnetics / LEDs

Size: A3

Version: 001

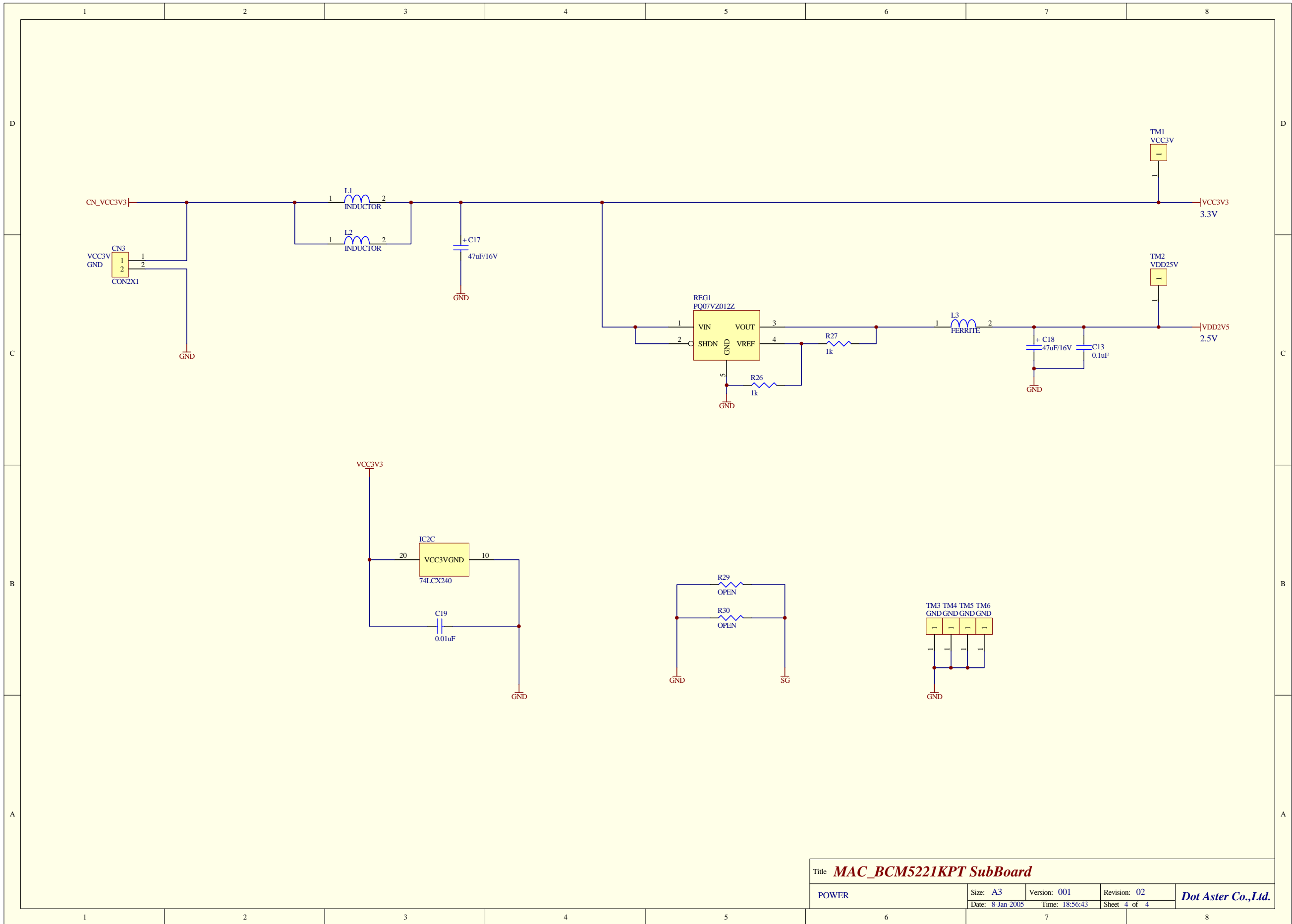
Revision: 02

**Dot Aster Co.,Ltd.**

Date: 8-Jan-2005

Time: 18:56:42

Sheet 3 of 4



Title <b>MAC_BCM521KPT SubBoard</b>			
POWER	Size: A3	Version: 001	Revision: 02
	Date: 8-Jan-2005	Time: 18:56:43	Sheet 4 of 4
			<b>Dot Aster Co.,Ltd.</b>